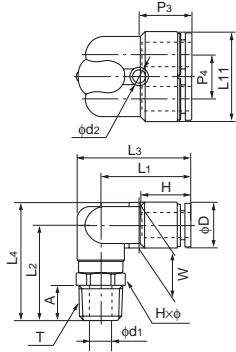


90 degree branch elbow

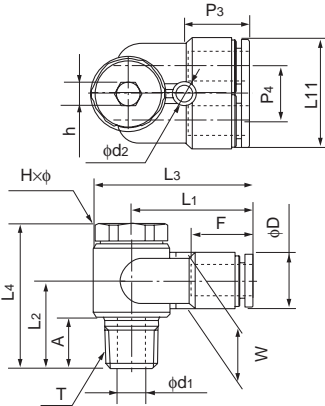
●Millimeter size type



Product number	Applicable tube outer diameter (mm)	T Thread size (R)	L ₁ (mm)	L ₂ (mm)	L ₃ (mm)	L ₄ (mm)	L ₁₁ (mm)	A (mm)	F Tube insertion length (mm)	H×φ Width across flat (mm)	P ₃ (mm)	P ₄ (mm)	W (mm)	D (mm)	d ₁ (mm)	d ₂ (mm)	Effective cross-sectional area (mm ²)	Weight (g)
ELY6-PT1/8	6	R1/8	25.6	25.2	32.1	31.5	24.8	8.0	15	12.0×13.0	14.8	12.2	12.6	12.6	5.0	4.2	—	16.0
ELY6-PT1/4	6	R1/4	25.6	29.2	33.3	35.5	24.8	11.0	15	14.0×15.4	14.8	12.2	12.6	12.6	7.0	4.2	—	23.0
ELY8-PT1/8	8	R1/8	28.2	26.2	35.9	33.5	28.8	8.0	16	14.0×15.4	16.4	14.2	14.6	14.6	5.0	4.2	—	21.0
ELY8-PT1/4	8	R1/4	28.2	30.2	35.9	37.5	28.8	11.0	16	14.0×15.4	16.4	14.2	14.6	14.6	7.0	4.2	—	27.0
ELY8-PT3/8	8	R3/8	28.2	31.2	37.5	38.5	28.8	12.0	16	17.0×18.5	16.4	14.2	14.6	14.6	9.0	4.2	—	35.0
ELY10-PT1/4	10	R1/4	31.3	33.2	40.5	42.0	35.0	11.0	19	17.0×18.5	18.4	17.5	17.5	17.5	7.0	4.2	—	37.0
ELY10-PT3/8	10	R3/8	31.3	34.2	40.5	43.0	35.0	12.0	19	17.0×18.5	18.4	17.5	17.5	17.5	9.0	4.2	—	43.0

Universal branch elbow

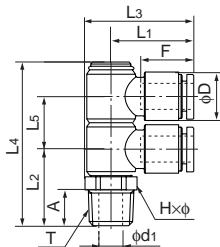
●Millimeter size type



Product number	Applicable tube outer diameter (mm)	T Thread size (R)	L ₁ (mm)	L ₂ (mm)	L ₃ (mm)	L ₄ (mm)	L ₁₁ (mm)	A (mm)	F Tube insertion length (mm)	H×φ Width across flat (mm)	h Width across flat (mm)	P ₃ (mm)	P ₄ (mm)	W (mm)	D (mm)	d ₁ (mm)	d ₂ (mm)	Effective cross-sectional area (mm ²)	Weight (g)
ELYB6-PT1/8	6	R1/8	26.1	17.5	33.1	30.0	24.8	8.0	15	13.0×14.0	5.0	14.8	12.2	12.6	12.6	5.0	4.2	—	25.0
ELYB6-PT1/4	6	R1/4	29.0	22.9	38.7	37.5	24.8	11.0	15	17.0×18.3	6.0	14.8	12.2	12.6	12.6	7.0	4.2	—	46.0
ELYB8-PT1/4	8	R1/4	30.6	22.9	40.3	37.5	28.8	11.0	16	17.0×18.3	6.0	16.4	14.2	14.6	14.6	7.0	4.2	—	—
ELYB8-PT3/8	8	R3/8	32.9	22.5	40.5	40.5	28.8	12.0	16	21.0×22.6	8.0	16.4	14.2	14.6	14.6	9.0	4.2	—	—
ELYB10-PT1/4	10	R1/4	34.9	23.4	46.9	39.5	35.0	11.0	19	21.0×22.6	8.0	18.4	17.5	17.5	17.5	7.0	4.2	—	—
ELYB10-PT3/8	10	R3/8	34.9	24.4	46.9	40.5	35.0	12.0	19	21.0×22.6	8.0	18.4	17.5	17.5	17.5	9.0	4.2	—	—

Double universal elbow

●Millimeter size type



Product number	Applicable tube outer diameter (mm)	T Thread size (R)	L ₁ (mm)	L ₂ (mm)	L ₃ (mm)	L ₄ (mm)	L ₅ (mm)	A (mm)	F Tube insertion length (mm)	H×φ Width across flat (mm)	D (mm)	d ₁ (mm)	Effective cross-sectional area (mm ²)	Weight (g)
ELWB6-PT1/8	6	R1/8	22.8	18.8	30.5	42.3	13.5	8.0	15	14.0×15.4	12.6	5.0	—	33.0
ELWB6-PT1/4	6	R1/4	22.8	21.8	30.5	45.3	13.5	11.0	15	14.0×15.4	12.6	7.0	—	35.0
ELWB8-PT1/4	8	R1/4	24.4	23.0	32.1	50.0	16.0	11.0	16	14.0×15.4	14.6	7.0	—	—
ELWB8-PT3/8	8	R3/8	24.4	24.0	32.1	54.0	16.0	12.0	16	17.0×18.5	14.6	9.0	—	—
ELWB10-PT1/4	10	R1/4	29.4	24.5	39.1	56.0	19.0	11.0	19	17.0×18.5	17.5	7.0	—	—
ELWB10-PT3/8	10	R3/8	29.4	25.5	39.1	57.0	19.0	12.0	19	17.0×18.5	17.5	9.0	—	70.0